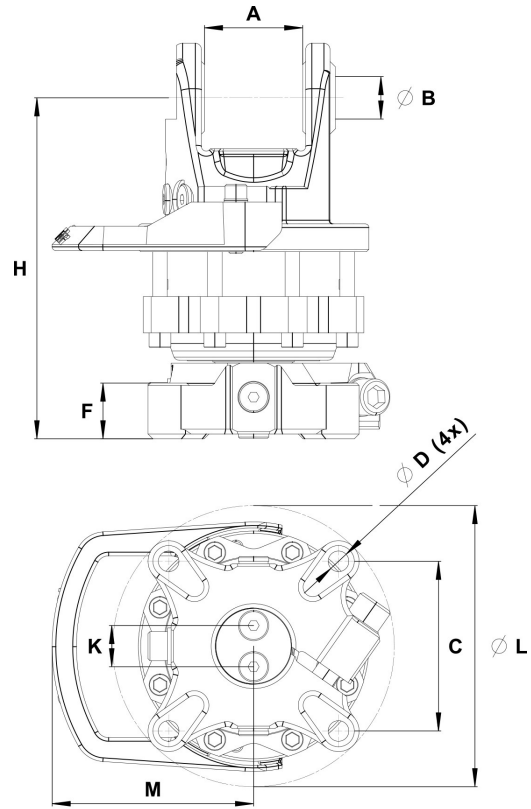
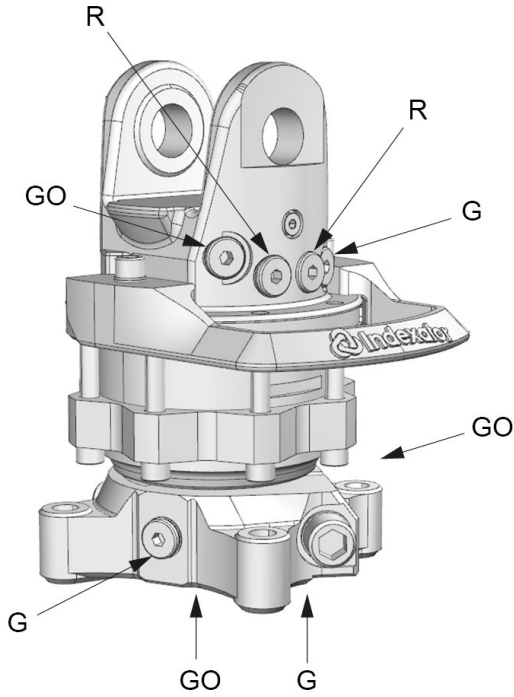











GV 4E K

Part No.: 5002635



Upper connection	Lower connection
G 3/8	G 3/8

A: 80,5 mm	B: Ø35 mm	C: 140x140	D: Ø17 mm	F: 46 mm	H: 281 mm	K: 34 mm	L: Ø232 mm	M: 166 mm
---------------	--------------	---------------	--------------	-------------	--------------	-------------	---------------	--------------

								
34.4 kg	360°	45 kN	25 kN	1150 Nm	12 l/min	25 MPa	30 MPa	30 MPa

K = 140x140 mm lower hole pattern.

Adapter sets are available for alternative connections.

For further technical information relating to integration and hydraulic connections, please contact rotator@indexator.com