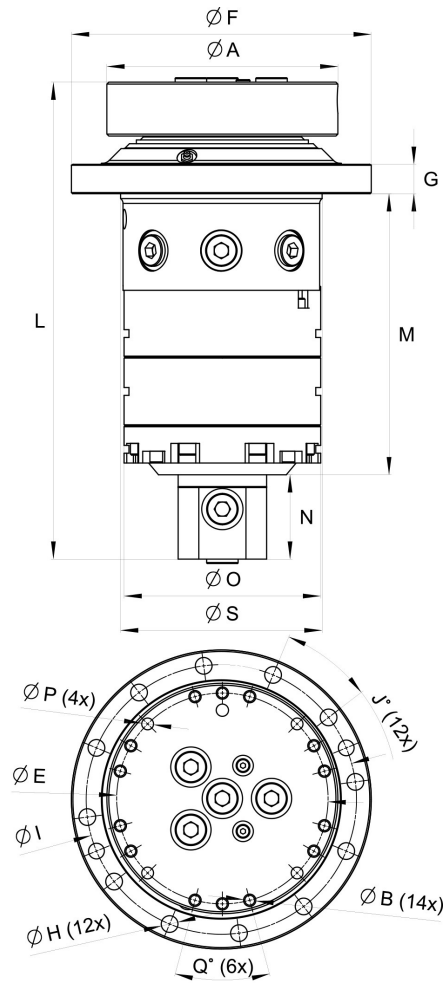
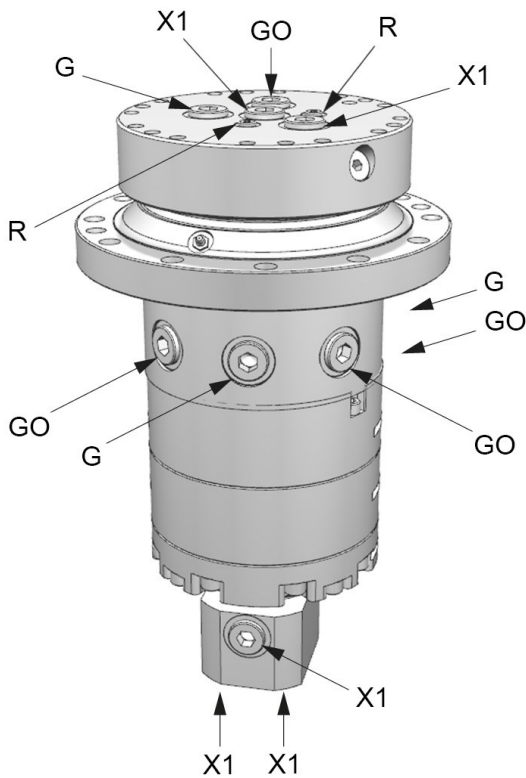


IR 12 XA

Part No.: 8000656



Upper			Lower					
X1: 1 1/16"-12 UNF	G GO: 1 1/16"-12 UNF	R: 7/16"-20 UNF	X1: 1 1/16"-12 UNF	G: 1 1/16"-12 UNF	G: 1 1/16"-12 UNF	GO: 1 1/16"-12 UNF	GO: 1 1/16"-12 UNF	GO: 1 1/16"-12 UNF

A: Ø235 mm	B: M12	E: Ø215 mm	F: Ø305 mm	G: 30 mm	H: Ø17 mm	I: Ø275 mm	J: 30°	L: 487 mm	M: 293 mm	N: 86 mm	O: Ø200 mm	P: Ø12 mm	Q: 30°
S: Ø205 mm													

100 kg	360°	±250 kN	±70 kN	2900 Nm	25 l/min	21 MPa	35 MPa	35 MPa	35 MPa	35 MPa

XA = Rotator with two connections and one extra channel for high-flow.

Pressure limiting valves fitted in the motor.

For further technical information relating to integration and hydraulic connections, please contact rotator@indexator.com