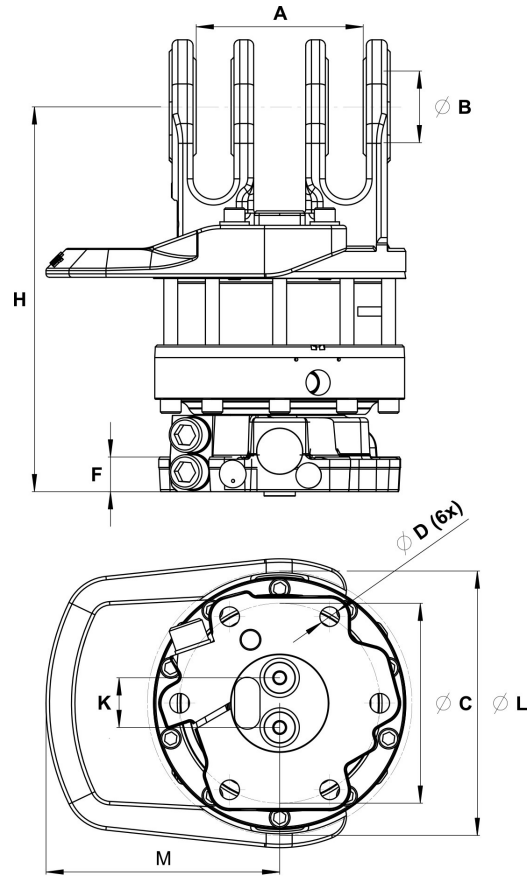
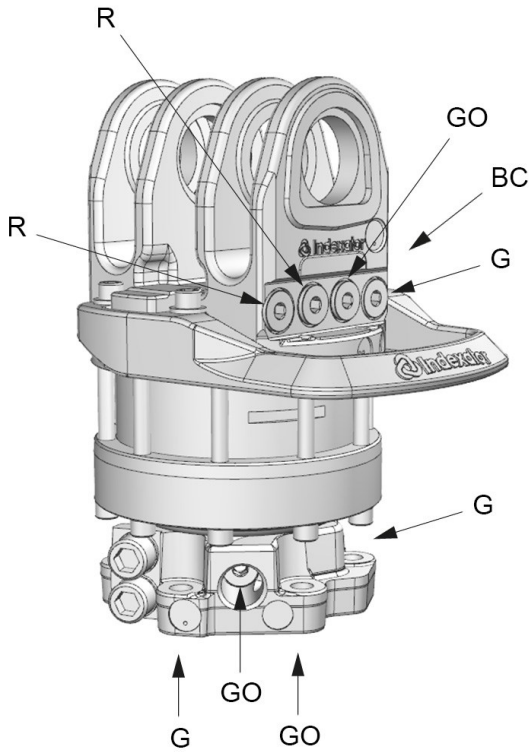


G 121 BC

Part No.: 7212122

- BC¹



Upper connection	Lower connection
G 1/2	G 1/2

A:	B:	C:	D:	F:	H:	J:	K:	L:	M:
MPB1	MPB	Ø173 mm	Ø17 mm	30 mm	333 mm	190 mm	43 mm	Ø229 mm	202 mm

		Max 	Max 		Max 	Max 	Max 	Max
57.1 kg	360°	100 kN	50 kN	2200 Nm	25 l/min	25 MPa	25 MPa	25 MPa

¹ BC means that the product is purpose built for hydraulic control of the MPB1 brake.

Rotator suitable for MPB swing dampers.

Rotator suitable for MPB swing dampers med hydraulic brake control (BC).

Adapter sets are available for alternative connections.

For further technical information relating to integration and hydraulic connections, please contact rotator@indexator.com