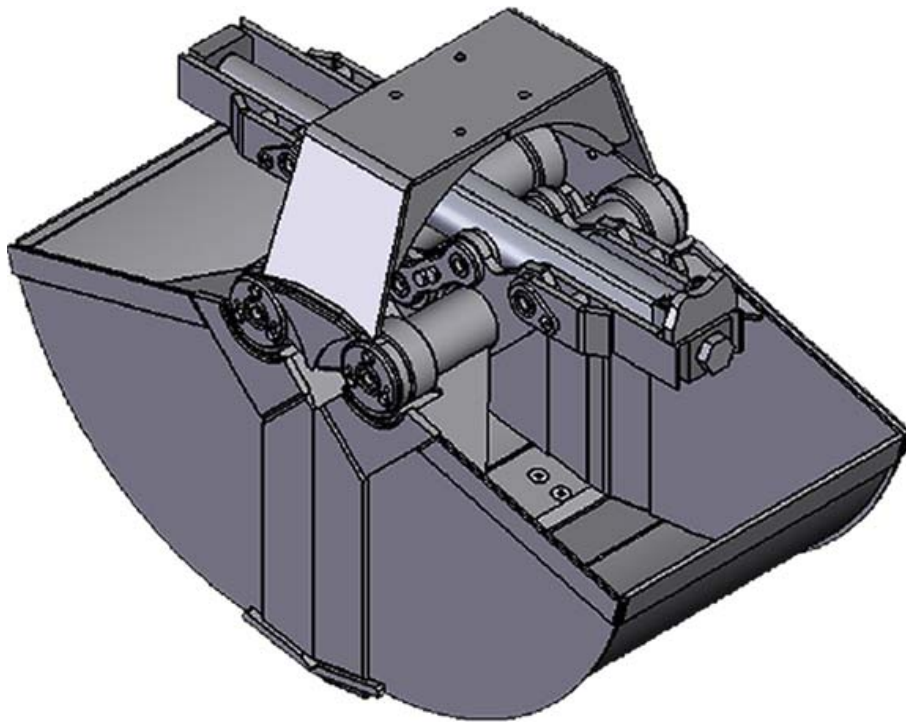
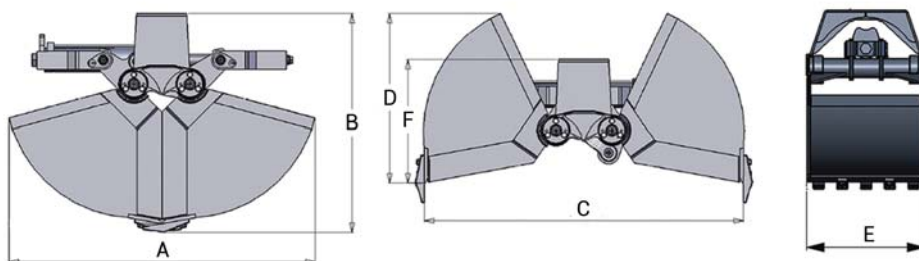


# TIGERGRIP | TCB 500 - 1000



## KEY FEATURES

- Double guide bars
- High pressure cylinder with double piston rod seals
- High tensile wear resistant steel (400 HB)
- Pilot operated check valve
- High tensile wear resistant steel cutting edges (500 HB)



	TCB 500	TCB 650	TCB 800	TCB 1000
<b>A</b>	1340	1340	1340	1340
<b>B</b>	957	957	957	957
<b>C</b>	1398	1398	1398	1398
<b>D</b>	740	740	740	740
<b>E</b>	500	650	800	1000
<b>F</b>	539	539	539	539

## MODEL SPECIFICATIONS



MODEL	Kg	Lt	Bar	l/min	kN	ton	tm/min
TCB 500	320	250	300	60	28	3	10
TCB 650	344	350	300	60	28	3	12
TCB 800	368	450	300	60	28	3	15
TCB 1000	398	550	300	60	28	3	15

# INTERMERCATO

High performance lift and load attachments for Forestry, Transport, Construction and Recycling.

