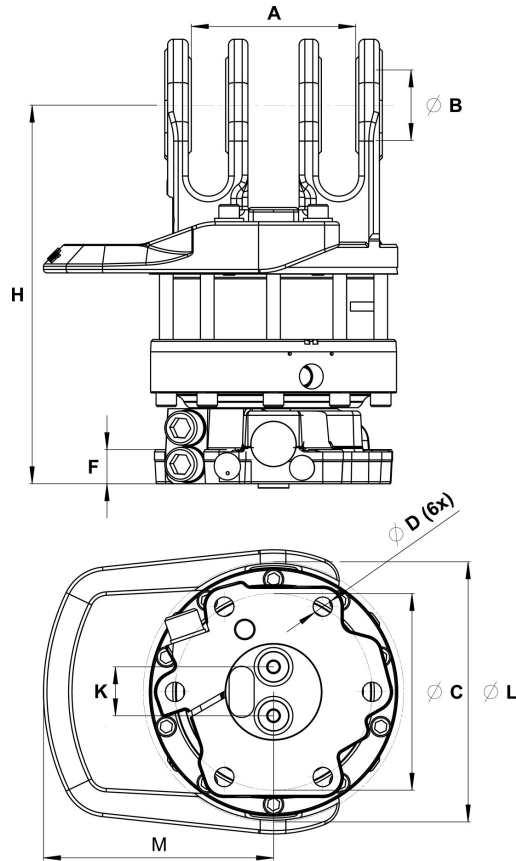
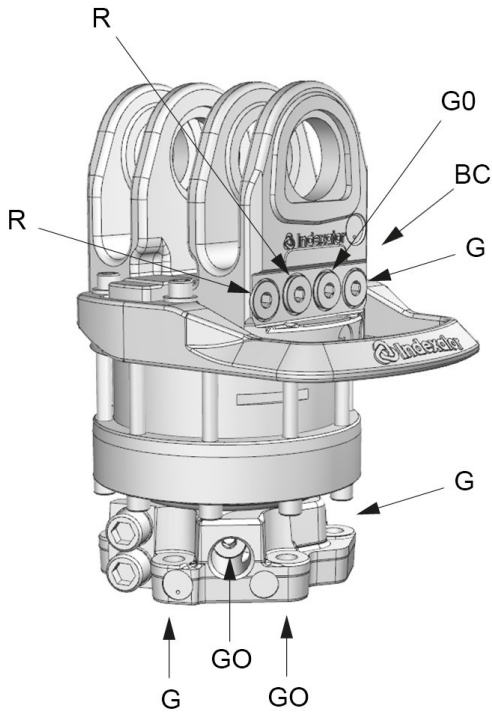


G 121 LS BC

Part No.: 7212074

- Load Sense¹
- BC²



| Upper connection | Lower connection |
|------------------|------------------|
| G 1/2 | G 1/2 |

| | | | | | | | | |
|------------|-----------|---------------|--------------|-------------|--------------|-------------|---------------|--------------|
| A: MPB1 | B: MPB | C: Ø173 mm | D: Ø17 mm | F: 30 mm | H: 333 mm | K: 43 mm | L: Ø229 mm | M: 202 mm |
|------------|-----------|---------------|--------------|-------------|--------------|-------------|---------------|--------------|

| | | | | | | | | |
|---------|------|---------|---------|---------|----------|---------|---------|---------|
| | | Max | Max | | Max | Max | Max | Max |
| 57.1 kg | 360° | 100 kN | 50 kN | 2200 Nm | 25 l/min | 25 MPa | 25 MPa | 25 MPa |

¹ A rotator with the shortening LS is not equipped with restrictors (unlike our standard rotators). This means that the oil flow from the base machine has to be adapted.

² BC means that the product is purpose built for hydraulic control of the MPB1 brake.

Rotator suitable for MPB swing dampers.

Rotator suitable for MPB swing dampers med hydraulic brake control (BC).

Adapter sets are available for alternative connections.

For further technical information relating to integration and hydraulic connections, please contact rotator@indexator.com