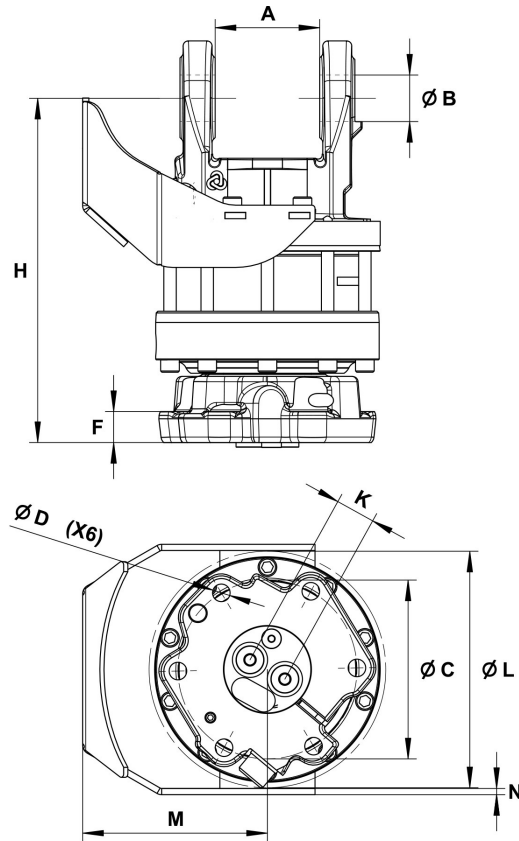
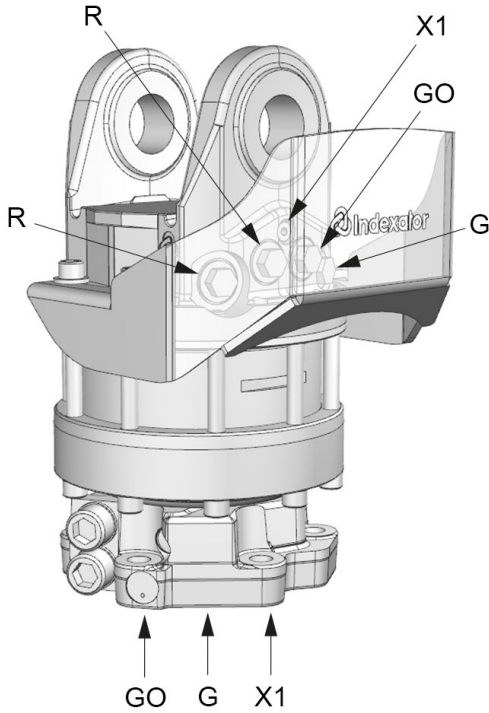


GV 12S A C LS Y XL

Part No.: 5212285

- Central lubrication
- Load Sense¹
- Protected Hose Routing



Upper connection	Lower connection	Upper	Lower
G 1/2	G 1/2	X1: G 1/8	X1: G 1/4

A: 101 mm	B: Ø45 mm	C: Ø173 mm	D: Ø17 mm	F: 30 mm	H: 333 mm	K: 38,5 mm	L: Ø229 mm	M: 179 mm	N: 6 mm
--------------	--------------	---------------	--------------	-------------	--------------	---------------	---------------	--------------	------------

		Max 	Max 		Max 	Max 	Max 	Max 	Max
58.5 kg	360°	100 kN	50 kN	2200 Nm	25 l/min	25 MPa	25 MPa	25 MPa	10 MPa

¹ A rotator with the shortening LS is not equipped with restrictors (unlike our standard rotators). This means that the oil flow from the base machine has to be adapted.

Rotator with only axial connections for a grapple function.

Adapter sets are available for alternative connections.

For further technical information relating to integration and hydraulic connections, please contact rotator@indexator.com