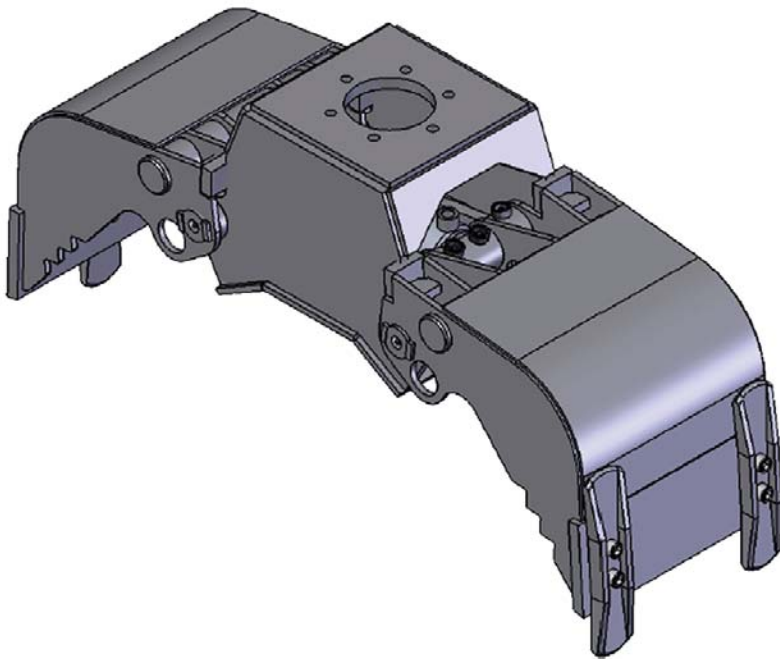
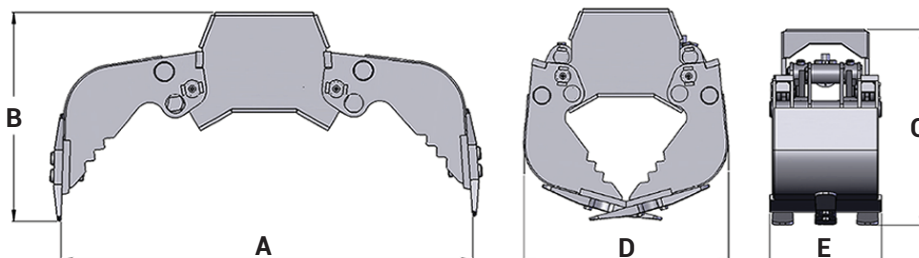


TIGERGRIP | TG 15 - 20 MP



KEY FEATURES

- Heavy duty
- Double guide bars
- High pressure cylinder with double piston rod seals
- High tensile wear resistant steel (400 HB)
- Extra reinforced body for rigid mounting - Excavator design
- Self lubricating bushings (not TG 15 och 18 MP)
- Reversible cutting edges
- High tensile wear resistant steel cutting edges (500 HB)
- Pilot operated check valve



	TG 15 MP	TG 18 MP	TG 20 MP
A	1160	1418	1560
B	600	686	802
C	698	772	925
D	659	857	891
E	392	476	532

MODEL SPECIFICATIONS



MODEL	Kg	m ²	Bar	l/min	kN	ton
TG 15 MP	170	0,14	250	60	17,5	3-6
TG 18 MP	295	0,18	250	60	18,5	5-8
TG 20 MP	475	0,20	350	60	33	7-11

INTERMERCATO

High performance lift and load attachments for Forestry, Transport, Construction and Recycling.

