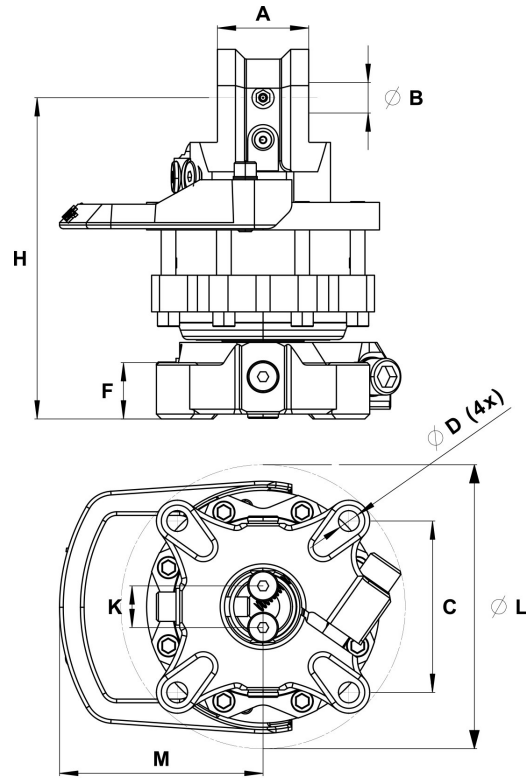
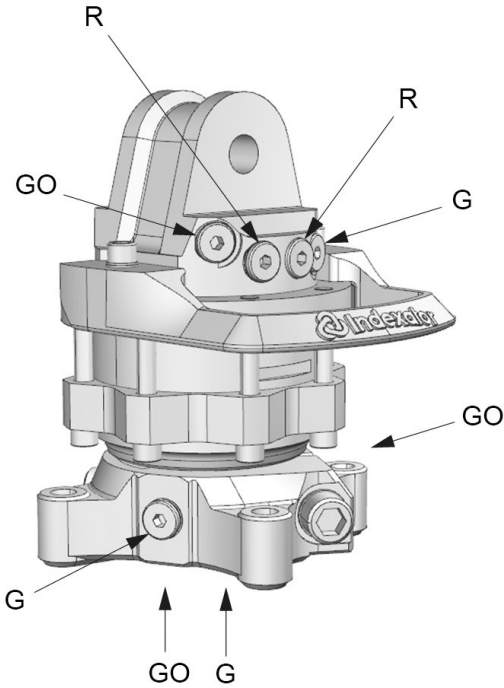


# GV 4 K

Part No.: 5002535



Upper connection	Lower connection
G 3/8	G 3/8

A: 75 mm	B: Ø25 mm	C: 140x140	F: 46 mm	H: 263 mm	K: 34 mm	L: Ø232 mm	M: 166 mm
-------------	--------------	---------------	-------------	--------------	-------------	---------------	--------------

		Max 	Max 		Max 	Max 	Max 	Max 
33.3 kg	360°	45 kN	25 kN	1150 Nm	12 l/min	25 MPa	30 MPa	30 MPa

K = 140×140 mm lower hole pattern.

Adapter sets are available for alternative connections.

For further technical information relating to integration and hydraulic connections, please contact [rotator@indexator.com](mailto:rotator@indexator.com)