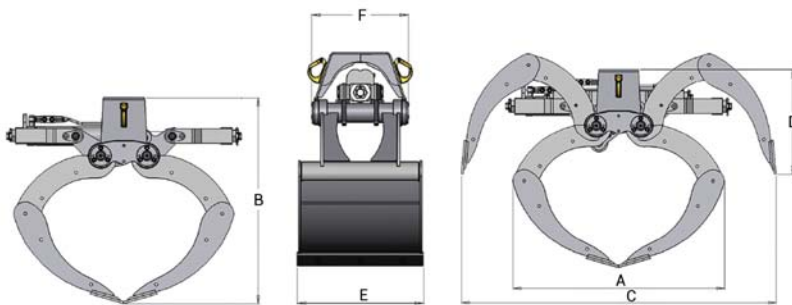


TIGERGRIP | TGO 500 - 1200



KEY FEATURES

- Double guide bars
- High pressure cylinder with double piston rod seals
- Pilot operated check valve
- 2 ton weld-on lifting hooks
- High tensile wear resistant steel cutting edges (500 HB)
- Reversible cutting edges



| | TGO 500 | TGO 650 | TGO 800 | TGO 900 | TGO 1000 | TGO 1200 |
|----------|---------|---------|---------|---------|----------|----------|
| A | 1168 | 1168 | 1168 | 1168 | 1168 | 1168 |
| B | 1095 | 1095 | 1095 | 1095 | 1095 | 1095 |
| C | 1739 | 1739 | 1739 | 1739 | 1739 | 1739 |
| D | 578 | 578 | 578 | 578 | 578 | 578 |
| E | 500 | 650 | 800 | 900 | 1000 | 1200 |
| F | 498 | 498 | 498 | 498 | 498 | 498 |

MODEL SPECIFICATIONS



| MODEL | Kg | Lt | Bar | l/min | kN | ton | tm |
|----------|-----|-----|-----|-------|----|-----|----|
| TGO 500 | 315 | 200 | 300 | 60 | 25 | 3 | 10 |
| TGO 650 | 340 | 300 | 300 | 60 | 25 | 3 | 12 |
| TGO 800 | 370 | 400 | 300 | 60 | 25 | 3 | 15 |
| TGO 900 | 390 | 450 | 300 | 60 | 25 | 3 | 15 |
| TGO 1000 | 405 | 500 | 300 | 60 | 25 | 3 | 15 |
| TGO 1200 | 440 | 600 | 300 | 60 | 25 | 3 | 15 |

INTERMERCATO

High performance lift and load attachments for Forestry, Transport, Construction and Recycling.

