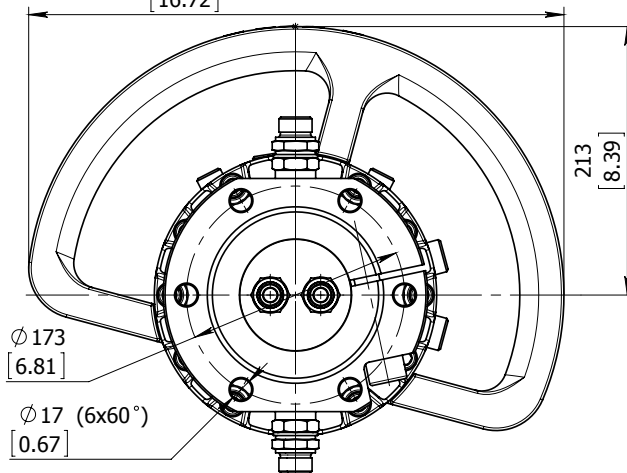
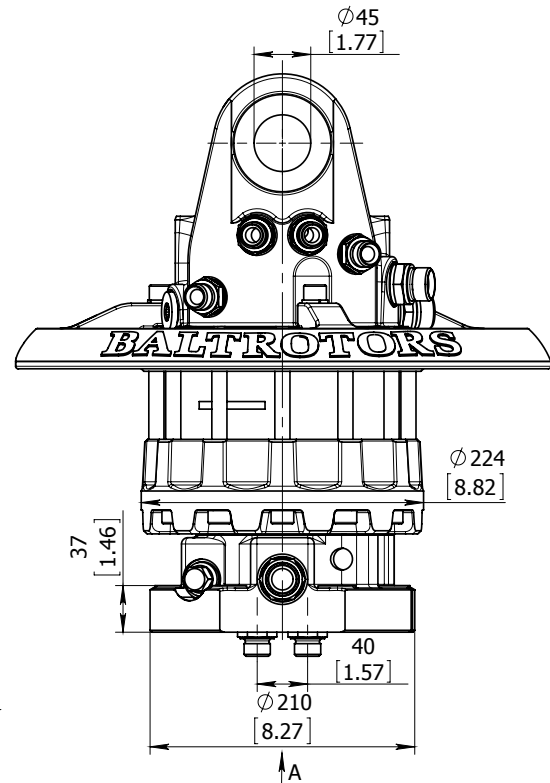
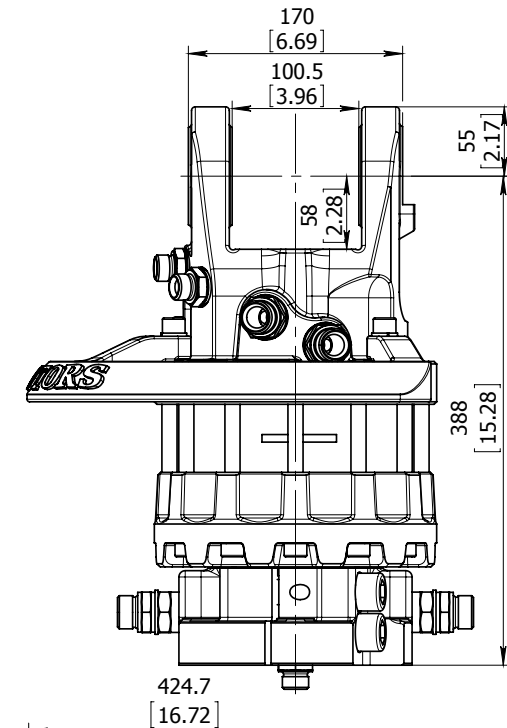
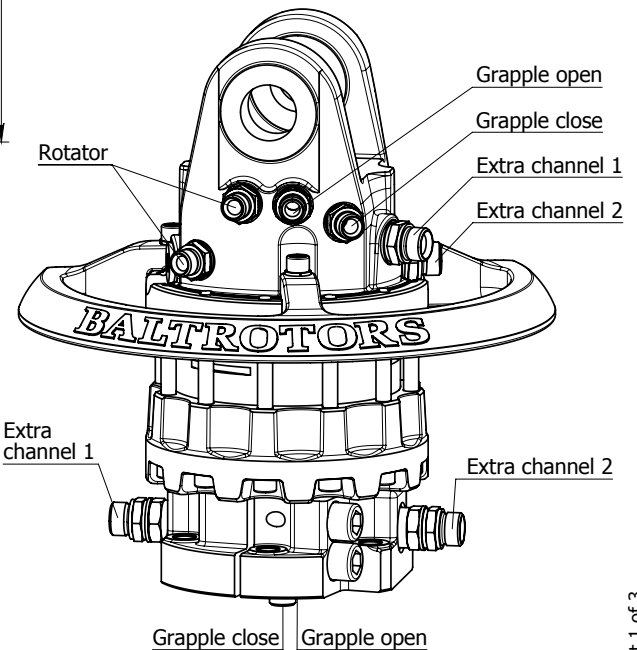


# ROTATOR GRS12S

Specially designed for grapple saw



VIEW A



## Technical data

Rotation	Unlimited
Max axial load static, KN (lbf)	+120 (26982) -90 (20236)
Max axial load dynamic, KN (lbf)	+60 (13491) -45 (10118)
Torque at 25Mpa (3625psi), Nm (lb ft)	2900 (2139)
Rec oilflow, l/min (US gallon)	35 (9.25)
Weight, kg (lb)	78 (172)

## Max working pressure:

Rotator	←R→	Max 25 MPa (3625 psi)	G 1/2
Grapple / Tool open	←G→	Max 20 MPa (2900 psi)	G 1/2
Grapple / Tool close	→G←	Max 30 MPa (4350 psi)	G 1/2
Extra oil function	1 2	Max 30 MPa (4350 psi)	G 3/4

## Connection:

