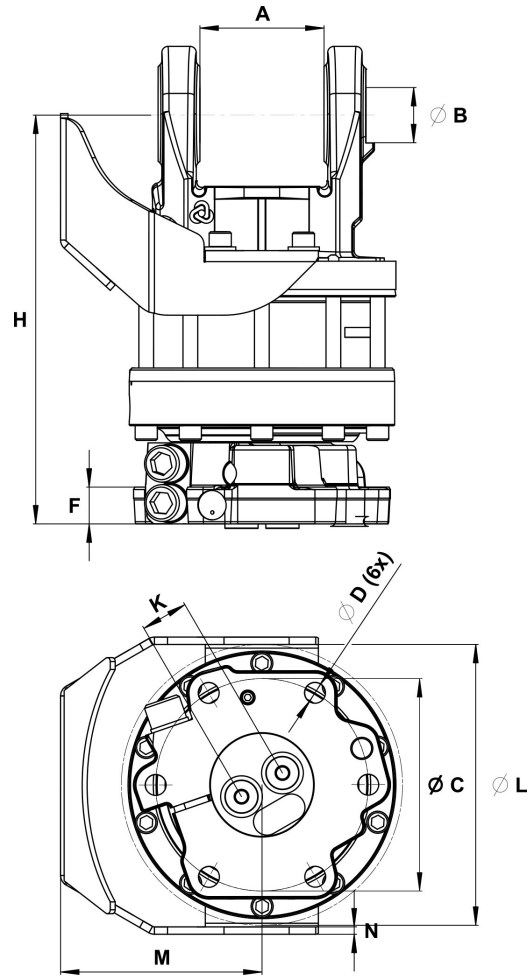
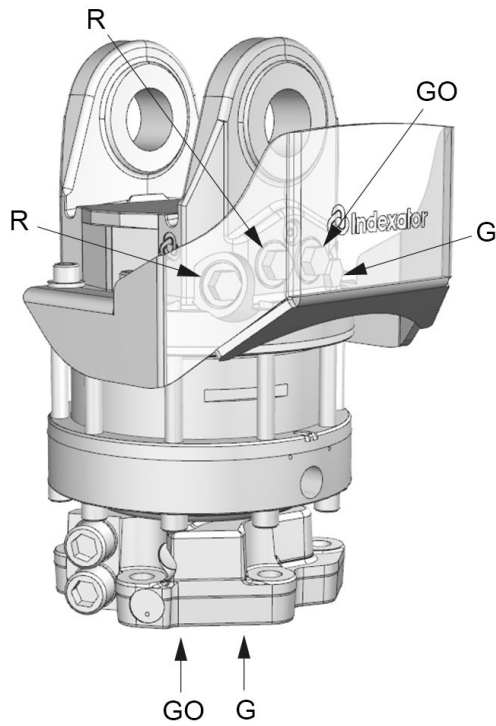


GV 12S A Y

Part No.: 5212278

- Protected Hose Routing



| Upper connection | Lower connection |
|------------------|------------------|
| G 1/2 | G 1/2 |

| | | | | | | | | | |
|--------------|--------------|---------------|--------------|-------------|--------------|---------------|---------------|--------------|------------|
| A: 101 mm | B: Ø45 mm | C: Ø173 mm | D: Ø17 mm | F: 30 mm | H: 333 mm | K: 38,5 mm | L: Ø229 mm | M: 164 mm | N: 6 mm |
|--------------|--------------|---------------|--------------|-------------|--------------|---------------|---------------|--------------|------------|

| | | | | | | | | |
|---------|------|---------|---------|---------|----------|---------|---------|---------|
| | | Max | Max | | Max | Max | Max | Max |
| 58.3 kg | 360° | 100 kN | 50 kN | 2200 Nm | 25 l/min | 25 MPa | 25 MPa | 25 MPa |

Rotator with only axial connections for a grapple function.

Adapter sets are available for alternative connections.

For further technical information relating to integration and hydraulic connections, please contact rotator@indexator.com