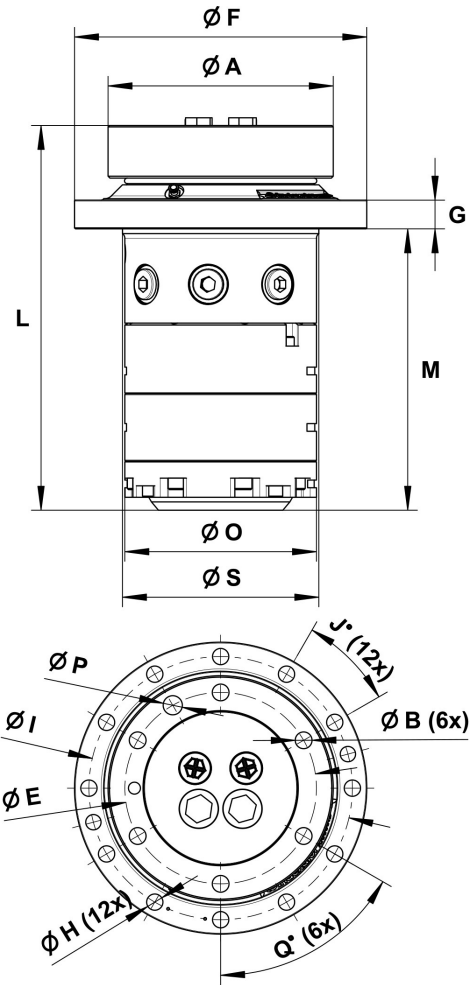
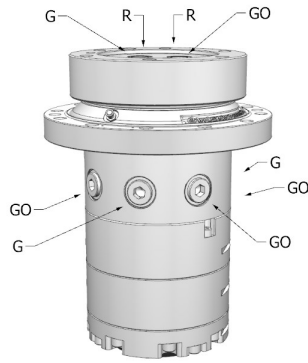


IR 12 A

Part No.: 8010003



Upper		Lower				
G GO:	R:	G:	G:	GO:	GO:	GO:
1 1/16"-12 UNF	7/8"-14 UNF	1 1/16"-12 UNF	1 1/16"-12 UNF	1 1/16"-12 UNF	1 1/16"-12 UNF	1 1/16"-12 UNF

A:	B:	E:	F:	G:	H:	I:	J:	L:	M:	O:	P:	Q:	S:
Ø235 mm	M20	Ø200 mm	Ø305 mm	30 mm	Ø17 mm	Ø275 mm	30°	401 mm	293 mm	Ø200 mm	Ø20 mm	60°	Ø205 mm

92.6 kg	360°	±250 kN	±70 kN	2900 Nm	25 l/min	21 MPa	35 MPa	35 MPa	Max