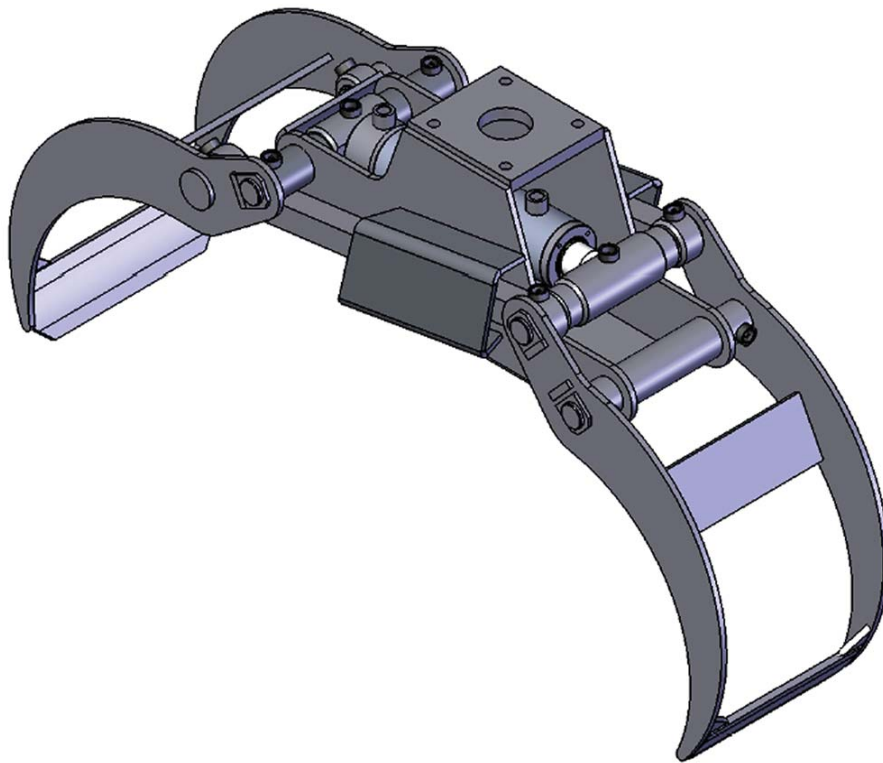
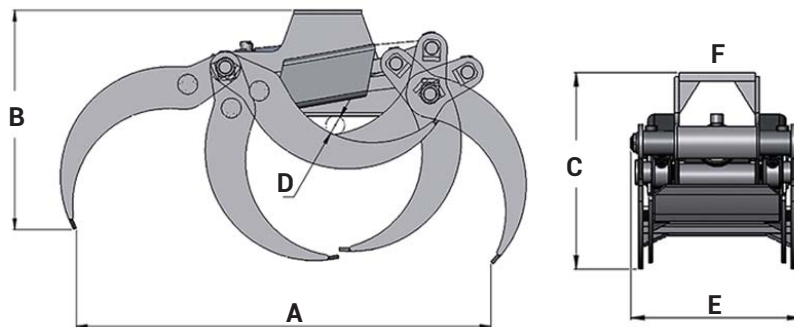


TIGERGRIP | TG 23



KEY FEATURES

- Double guide bars
- Optimized roll in/roll out properties
- High pressure cylinder with double piston rod seals



A	1210
B	643
C	470
D	55
E	401
F	140/140

MODEL SPECIFICATIONS



TG 23	120	0,23	200	50	13,5	3	1,5					
-------	-----	------	-----	----	------	---	-----	--	--	--	--	--

INTERMERCATO

High performance lift and load attachments for Forestry, Transport, Construction and Recycling.

