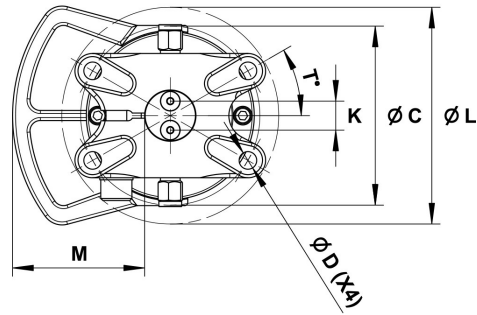
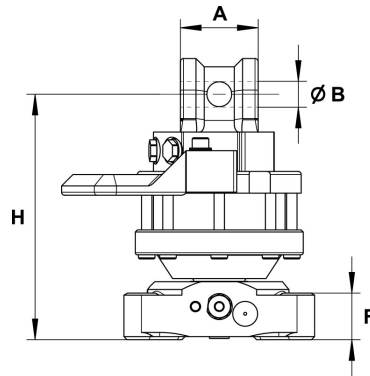
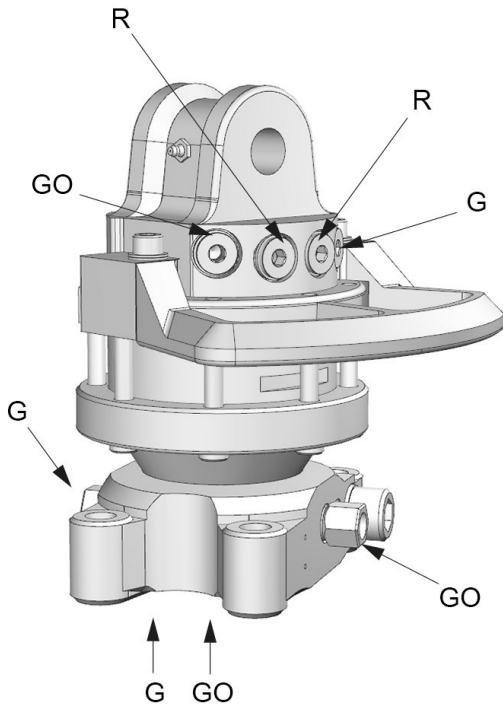


GV 3 I

Part No.: 5002326



Upper connection	Lower connection
G 3/8	G 1/4

A: 75 mm	B: Ø25 mm	C: Ø173 mm	D: Ø17 mm	F: 46 mm	H: 237 mm	K: 28 mm	L: Ø210 mm	M: 152 mm	T: 30°
-------------	--------------	---------------	--------------	-------------	--------------	-------------	---------------	--------------	-----------

		Max 	Max 		Max 	Max 	Max 	Max
22.8 kg	360°	30 kN ¹	12.5 kN	950 Nm	10 l/min	25 MPa	20 MPa ²	30 MPa

¹ 40 kN when mounted to a piece goods crane.

² 25 MPa when mounted to a piece goods crane.

Adapter sets are available for alternative connections.

For further technical information relating to integration and hydraulic connections, please contact rotator@indexator.com