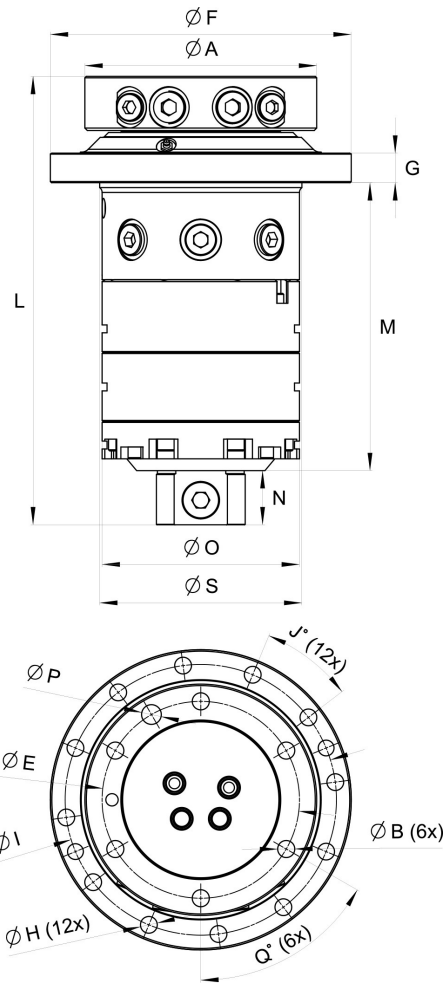
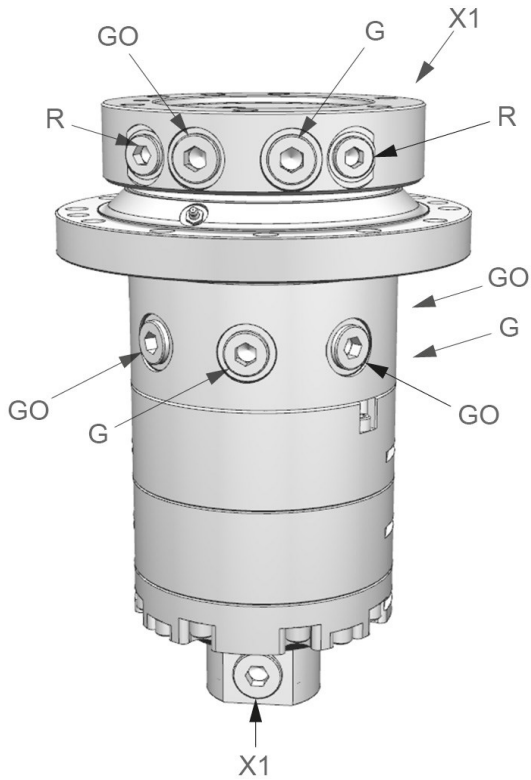


# IR 12 X

Part No.: 8000615



Upper			Lower					
X1: 1 5/16"-12 UNF	G GO: 1 1/16"-12 UNF	R: 7/8"-14 UNF	X1: 1 5/16"-12 UNF	G: 1 1/16"-12 UNF	G: 1 1/16"-12 UNF	GO: 1 1/16"-12 UNF	GO: 1 1/16"-12 UNF	GO: 1 1/16"-12 UNF

A: Ø235 mm	B: M20	E: Ø200 mm	F: Ø305 mm	G: 30 mm	H: Ø17 mm	I: Ø275 mm	J: 30°	L: 456 mm	M: 293 mm	N: 55 mm	O: Ø200 mm	P: Ø20 mm	Q: 60°
S: Ø205 mm													

		Max	Max		Max	Max	Max	Max	Max	Max
95.7 kg	360°			2900 Nm						
		±250 kN	±70 kN		25 l/min	21 MPa	35 MPa	35 MPa	35 MPa	35 MPa

X = Rotator with one extra channel.

Pressure limiting valves fitted in the motor.

For further technical information relating to integration and hydraulic connections, please contact [rotator@indexator.com](mailto:rotator@indexator.com)