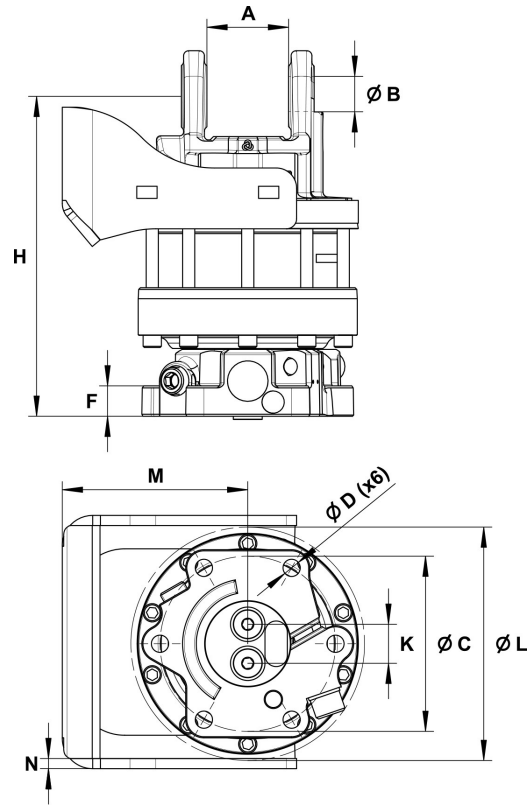
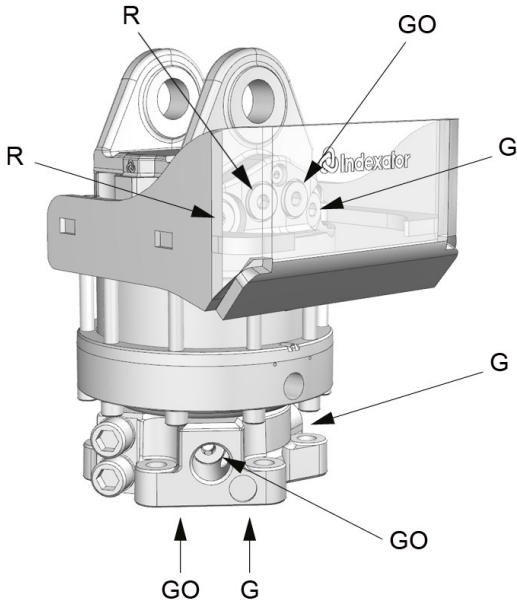


# GV 12 Y HD

Part No.: 5120000

- Protected Hose Routing



Upper connection	Lower connection
G 1/2	G 1/2

A:	B:	C:	D:	F:	H:	K:	L:	M:	N:
80,5 mm	Ø35 mm	Ø173 mm	Ø17 mm	30 mm	317 mm	38,5 mm	Ø229 mm	183 mm	10 mm

		Max 	Max 		Max 	Max 	Max 	Max 	Max 
59.5 kg	360°	100 kN	50 kN	2200 Nm	25 l/min	25 MPa	25 MPa	25 MPa	25 MPa

Rotators with the term HD has a hose guard with extra thick material (10 mm), compared to rotators designated with Y or Y XL (6 mm).

Adapter sets are available for alternative connections.

For further technical information relating to integration and hydraulic connections, please contact [rotator@indexator.com](mailto:rotator@indexator.com)