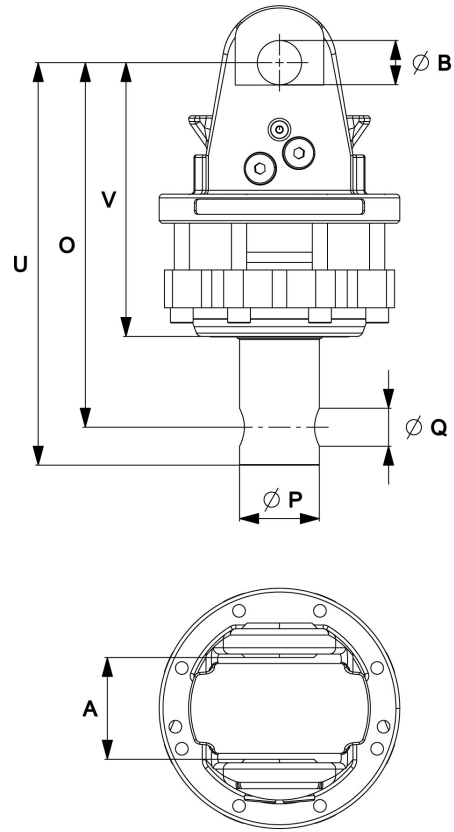
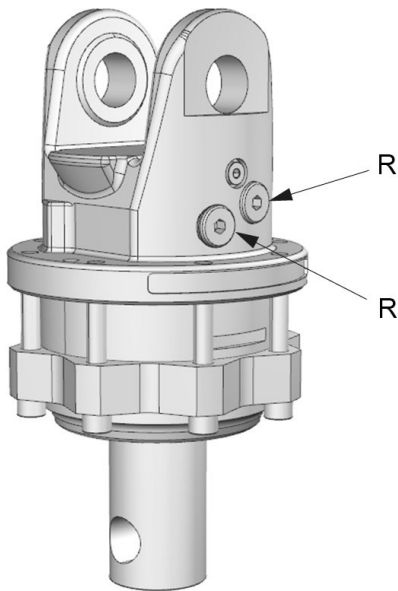


GV 4E-0 -63/30 V

Part No.: 5002685



Upper connection

G 3/8

A: 80 mm	B: Ø35 mm	O: 288 mm	P: Ø63 mm	Q: Ø30 mm	U: 318 mm	V: 217 mm
 26 kg	 360°	Max  45 kN	Max  25 kN	 1150 Nm	Max  12 l/min	Max  25 MPa

V = Head rotators; only for connection in upper section.

Adapter sets are available for alternative connections.

For further technical information relating to integration and hydraulic connections, please contact rotator@indexator.com